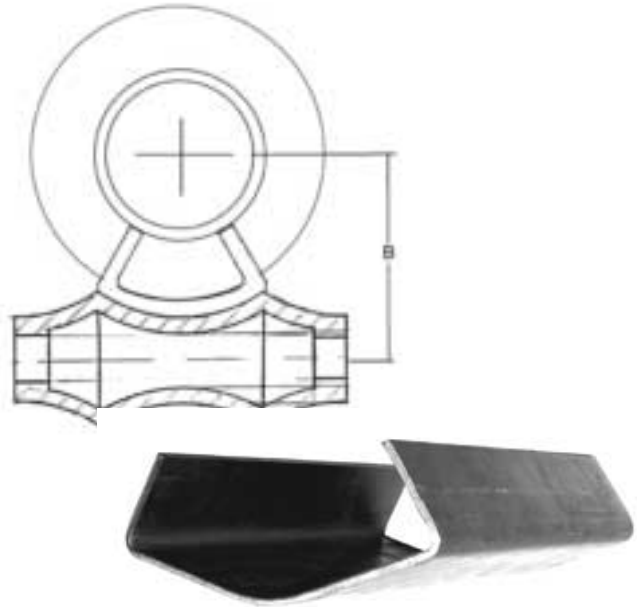


INDUSTRIAL HANGERS & CLAMPS

A 80/84 Pipe Protection Saddle 1" & 1-1/2"

- Material:** A-36 Carbon Steel.
- Application:** Designed to protect pipe insulation on high temperature pipe lines.
- Ordering:** Specify figure number, pipe size, and insulation thickness.
- Approvals:** Complies with manufacturers' Standardization Society SP-69 Type 39 A.



A 80 PIPE PROTECTION SADDLE FOR 1" INSULATION

Size	Roller Size		B		
	mm	mm		mm	
3/4	19	3	76	2-1/16	52
1	25	4	102	2-5/16	59
1-1/4	32	4	102	2-1/2	64
1-1/2	38	4	102	2-5/8	67
2	50	5	127	3	76
2-1/2	64	5	127	3-1/4	83
3	76	6	152	3-1/2	89
3-1/2	89	6	152	4	102
4	102	6	152	4-1/4	108
5	127	8	203	4-13/16	122
6	152	8	203	5-3/8	137
8	203	10	254	6-9/16	167
10	254	12	305	7-13/16	198
12	305	14	356	9	229
14	356	16	406	9-11/16	246
16	406	18	457	10-3/4	273
18	457	20	508	11-13/16	300
20	508	24	610	13-1/16	332

A 84 PIPE PROTECTION SADDLE FOR 1-1/2" INSULATION

Size	Roller Size		B		
	mm	mm		mm	
3/4	19	4	102	2-3/4	70
1	25	5	127	2-7/8	73
1-1/4	32	5	127	3-1/16	78
1-1/2	38	5	127	3-1/4	83
2	50	6	152	3-1/2	89
2-1/2	64	6	152	4	102
3	76	6	152	4-5/16	110
3-1/2	89	6	152	4-9/16	116
4	102	8	203	4-7/8	124
5	127	10	254	5-1/2	140
6	152	10	254	5-7/8	149
8	203	12	305	7-1/16	179
10	254	14	356	8-5/8	211
12	305	16	406	9-1/2	241
14	356	18	457	10-3/16	259
16	406	20	508	11-1/4	286
18	457	24	610	12-5/16	313
20	508	24	610	13-9/16	344

