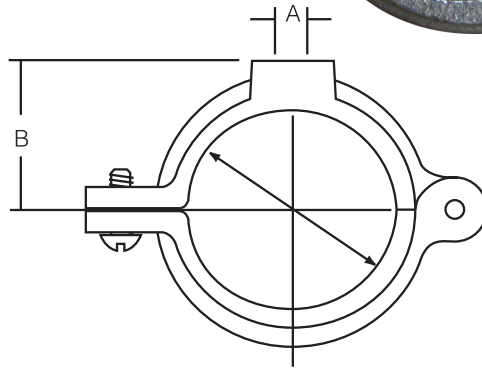


STANDARD & COMMERCIAL PIPE HANGERS

A 131 Split Ring Hanger - Hinged

Material :	Zinc Plated Malleable Iron.
Application:	Designed for suspending non-insulated pipe horizontally.
Ordering:	Specify pipe size, and figure number.
Approvals:	Complies with Manufacturers Standardization Society SP – 69 Type 12.



A 131 SPLIT RING HANGER

SIZE	A		B		Max Rec load	
	mm	mm	mm	mm		
1/2	13	3/8	10	7/8	22	180
3/4	19	3/8	10	1	25	180
1	25	3/8	10	1-7/64	28	180
1-1/4	32	3/8	10	1-5/16	33	180
1-1/2	38	3/8	10	1-17/32	39	180
2	50	3/8	10	1-11/16	43	180
2-1/2	64	1/2	13	2-1/8	54	300
3	76	1/2	13	2-7/16	62	300
4	102	1/2	13	3	75	300

