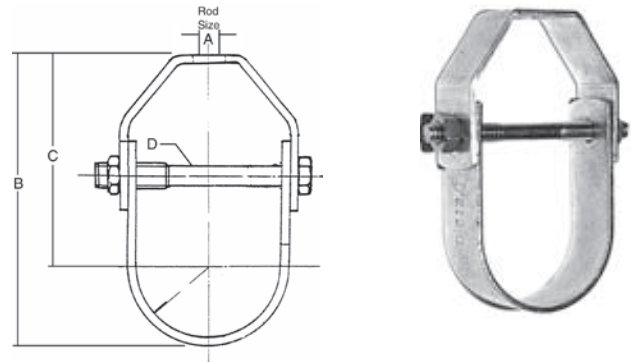


## STANDARD & COMMERCIAL PIPE HANGERS

### A 210 Light Duty Clevis Hanger

|              |   |
|--------------|---|
| Material:    | Carbon Steel  |
| Finish:      | Electro-Zinc Plated   |
| Application: | Designed for suspending stationary pipe lines. Design of hanger allows for vertical adjustment.   |
| Ordering:    | Specify pipe size and figure number. This hanger is only available in sizes 1/2" thru 6" and is designed for light loads only. For heavier loads refer to figure # A 235 clevis hanger. |



### A 210 LIGHT DUTY CLEVIS

| SIZE  | "A" |     | "B" |         | "C" |         | "D" |     | Lower Material |             | Upper Material |             | Max Rec Load |      |
|-------|-----|-----|-----|---------|-----|---------|-----|-----|----------------|-------------|----------------|-------------|--------------|------|
|       | mm  |     | mm  |         | mm  |         | mm  |     | mm             |             | mm             |             |              |      |
| 1/2   | 13  | 3/8 | 10  | 2-13/16 | 71  | 2-5/16  | 59  | 1/4 | 6              | 3/32x7/8    | 2.1x22         | 3/32x7/8    | 2.1x22       | 250  |
| 3/4   | 19  | 3/8 | 10  | 3       | 76  | 2-13/32 | 61  | 1/4 | 6              | 3/32x7/8    | 2.1x22         | 3/32x7/8    | 2.1x22       | 250  |
| 1     | 25  | 3/8 | 10  | 3-5/16  | 84  | 2-19/32 | 66  | 1/4 | 6              | 3/32x7/8    | 2.1x22         | 3/32x7/8    | 2.1x22       | 250  |
| 1-1/4 | 32  | 3/8 | 10  | 3-11/16 | 93  | 2-11/16 | 68  | 1/4 | 6              | 3/32x7/8    | 2.1x22         | 3/32x7/8    | 2.1x22       | 250  |
| 1-1/2 | 38  | 3/8 | 10  | 4       | 101 | 2-13/16 | 71  | 1/4 | 6              | 3/32x7/8    | 2.1x22         | 3/32x7/8    | 2.1x22       | 250  |
| 2     | 50  | 1/2 | 13  | 4-7/16  | 112 | 3-9/16  | 80  | 1/4 | 6              | 3/32x7/8    | 2.1x22         | 3/32x7/8    | 2.1x22       | 250  |
| 2-1/2 | 64  | 1/2 | 13  | 5-3/8   | 136 | 4       | 100 | 3/8 | 13             | 1/8x1-3/16  | 3x30           | 1/8x1-3/16  | 3x30         | 350  |
| 3     | 76  | 1/2 | 13  | 6       | 152 | 4-3/16  | 107 | 3/8 | 13             | 1/8x1-3/16  | 3x30           | 1/8x1-3/16  | 3x30         | 350  |
| 3-1/2 | 89  | 1/2 | 13  | 6-5/8   | 168 | 4-5/8   | 117 | 3/8 | 13             | 1/8x1-3/16  | 3x30           | 1/8x1-3/16  | 3x30         | 350  |
| 4     | 102 | 1/2 | 13  | 7-1/2   | 190 | 5-3/16  | 132 | 3/8 | 13             | 1/8x1-3/16  | 3x30           | 3/16x1-3/16 | 4.5x40       | 400  |
| 5     | 127 | 5/8 | 16  | 8-7/8   | 225 | 6-1/16  | 154 | 1/2 | 13             | 3/16x1-3/16 | 4.5x30         | 1/4x1-1/4   | 6x30         | 1430 |
| 6     | 152 | 3/4 | 19  | 10      | 254 | 6-5/8   | 169 | 1/2 | 13             | 3/16x1-1/2  | 4.5x38         | 1/4x1-1/2   | 6x38         | 1940 |

