

FIRE PROTECTION & WATERWORKS HANGERS

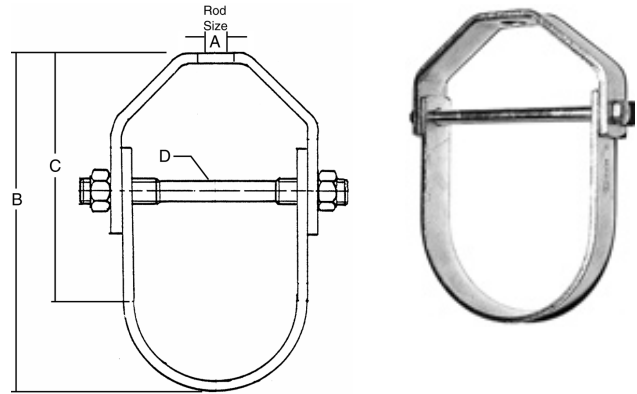
A 235 Standard Clevis Hanger

Material : Zinc plated carbon steel. Also available in Stainless Steel and Bare Metal.

Application : Designed for suspending non – insulated stationary pipe, allowing for vertical adjustment.

Ordering : Specify pipe size and figure number.

Approvals : Complies with Manufacturers Standardization Society SP – 69 Type 1



Listed and approved in 1" thru 8" only

A 235 STANDARD CLEVIS HANGER

SIZE	"A"		"B"		"C"		"D"		Lower Material		Upper Material		Max Rec Load	
	mm	mm	mm	mm	mm	mm	mm	mm	mm	mm	mm			
1/2	13	3/8	10	2-3/8	73	2-13/32	61	1/4	6	1/8x1	3x25	1/8x1	3x25	300
3/4	19	3/8	10	3-5/32	80	2-9/16	65	1/4	6	1/8x1	3x25	1/8x1	3x25	300
1	25	3/8	10	3-3/8	86	2-21/32	68	1/4	6	1/8x1	3x25	1/8x1	3x25	300
1-1/4	32	3/8	10	3-3/4	95	2--3/4	70	1/4	6	1/8x1	3x25	1/8x1	3x25	610
1-1/2	38	3/8	10	4-1/16	103	2-7/8	73	1/4	6	1/8x1	3x25	1/8x1	3x25	610
2	50	3/8	10	4-1/2	114	3-1/4	82	1/4	6	1/8x1	3x25	1/8x1	3x25	610
2-1/2	64	1/2	13	5-1/2	140	4-1/16	103	3/8	10	3/16x1-3/16	4.5x30	3/16x1-3/16	4.5x30	1,130
3	76	1/2	13	6-1/8	155	4-5/16	110	3/8	10	3/16x1-3/16	4.5x30	3/16x1-3/16	4.5x30	1,350
3-1/2	89	1/2	13	6-3/4	171	4-3/4	120	3/8	10	3/16x1-3/16	4.5x30	3/16x1-3/16	4.5x30	1,350
4	102	5/8	16	7-5/8	193	5-5/16	135	3/8	10	3/16x1-3/16	4.5x30	1/4x1-3/16	6x30	1,430
5	127	5/8	16	8-7/8	225	6-1/16	154	1/2	13	3/16x1-3/16	4.5x30	1/4x1-3/16	6x30	1,430
6	152	3/4	19	10	254	6-5/8	169	1/2	13	3/16x1-1/2	4.5x38	1/4x1-1/2	6x38	1,940
8	203	3/4	19	12-3/4	324	8-3/8	213	5/8	16	3/16x1-1/2	4.5x38	1/4x1-1/2	6x38	2,000
10	254	7/8	22	16-5/8	423	11-11/16	297	3/4	19	1/4x2	6x50	5/16x2	8x50	3,600
12	305	7/8	22	18-11/16	475	12-1/4	312	3/4	19	1/4x2	6x50	5/16x2	8x50	3,800
14	356	1	25	20-5/16	516	13-15/16	354	7/8	22	1/4x2	6x50	15/32x2	12x50	4,200
16	406	1	25	22-1/16	560	14	355	1	25	1/4x2-1/2	6x63	15/32x2-1/2	12x63	4,600
18	457	1	25	24-3/4	628	15-11/16	398	1-1/8	28	1/4x2-1/2	6x63	15/32x2-1/2	12x63	4,800
20	508	1-1/4	32	27-3/8	695	17-5/16	440	1-1/4	32	5/16x3	8x76	5/8x3	16x76	4,800
24	610	1-1/4	32	31-5/8	803	19-9/16	497	1-1/4	32	5/16x3	8x76	5/8x3	16x76	4,800

