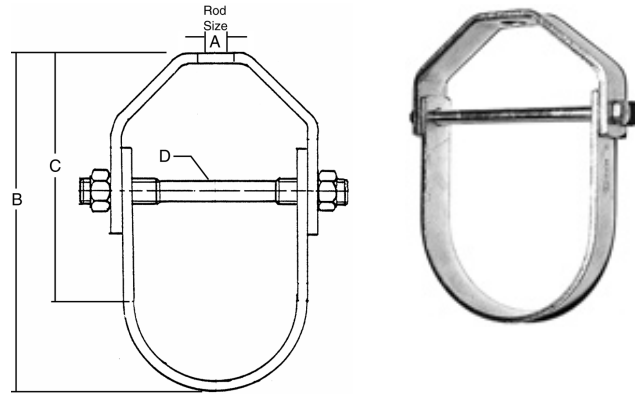


STANDARD & COMMERCIAL PIPE HANGERS

A 235 SS Stainless Steel Standard Clevis Hanger

- Material :** 316 Stainless steel.
- Application :** Designed for suspending non – insulated stationary stainless steel pipe, allowing for vertical adjustment.
- Ordering :** Specify pipe size and figure number.
- Approvals :** Complies with Manufacturers Standardization Society SP – 69 Type 1



A 235SS STANDARD CLEVIS HANGER

| SIZE | "A" | | "B" | | "C" | | "D" | | Lower Material | | Upper Material | | Max Rec Load | |
|-------|-----|-------|-----|----------|-----|----------|-----|-------|----------------|-------------|----------------|-------------|--------------|-------|
| | mm | mm | mm | mm | mm | mm | mm | mm | mm | mm | mm | | | |
| 1/2 | 13 | 3/8 | 10 | 2-3/8 | 73 | 2-13/32 | 61 | 1/4 | 6 | 1/8x1 | 3x25 | 1/8x1 | 3x25 | 300 |
| 3/4 | 19 | 3/8 | 10 | 3-5/32 | 80 | 2-9/16 | 65 | 1/4 | 6 | 1/8x1 | 3x25 | 1/8x1 | 3x25 | 300 |
| 1 | 25 | 3/8 | 10 | 3-3/8 | 86 | 2-21/32 | 68 | 1/4 | 6 | 1/8x1 | 3x25 | 1/8x1 | 3x25 | 300 |
| 1-1/4 | 32 | 3/8 | 10 | 3-3/4 | 95 | 2--3/4 | 70 | 1/4 | 6 | 1/8x1 | 3x25 | 1/8x1 | 3x25 | 610 |
| 1-1/2 | 38 | 3/8 | 10 | 4-1/16 | 103 | 2-7/8 | 73 | 1/4 | 6 | 1/8x1 | 3x25 | 1/8x1 | 3x25 | 610 |
| 2 | 50 | 3/8 | 10 | 4-1/2 | 114 | 3-1/4 | 82 | 1/4 | 6 | 1/8x1 | 3x25 | 1/8x1 | 3x25 | 610 |
| 2-1/2 | 64 | 1/2 | 13 | 5-1/2 | 140 | 4-1/16 | 103 | 3/8 | 10 | 3/16x1-3/16 | 4.5x30 | 3/16x1-3/16 | 4.5x30 | 1,130 |
| 3 | 76 | 1/2 | 13 | 6-1/8 | 155 | 4-5/16 | 110 | 3/8 | 10 | 3/16x1-3/16 | 4.5x30 | 3/16x1-3/16 | 4.5x30 | 1,350 |
| 3-1/2 | 89 | 1/2 | 13 | 6-3/4 | 171 | 4-3/4 | 120 | 3/8 | 10 | 3/16x1-3/16 | 4.5x30 | 3/16x1-3/16 | 4.5x30 | 1,350 |
| 4 | 102 | 5/8 | 16 | 7-5/8 | 193 | 5-5/16 | 135 | 3/8 | 10 | 3/16x1-3/16 | 4.5x30 | 1/4x1-3/16 | 6x30 | 1,430 |
| 5 | 127 | 5/8 | 16 | 8-7/8 | 225 | 6-1/16 | 154 | 1/2 | 13 | 3/16x1-3/16 | 4.5x30 | 1/4x1-3/16 | 6x30 | 1,430 |
| 6 | 152 | 3/4 | 19 | 10 | 254 | 6-5/8 | 169 | 1/2 | 13 | 3/16x1-1/2 | 4.5x38 | 1/4x1-1/2 | 6x38 | 1,940 |
| 8 | 203 | 3/4 | 19 | 12-3/4 | 324 | 8-3/8 | 213 | 5/8 | 16 | 3/16x1-1/2 | 4.5x38 | 1/4x1-1/2 | 6x38 | 2,000 |
| 10 | 254 | 7/8 | 22 | 16-5/8 | 423 | 11-11/16 | 297 | 3/4 | 19 | 1/4x2 | 6x50 | 5/16x2 | 8x50 | 3,600 |
| 12 | 305 | 7/8 | 22 | 18-11/16 | 475 | 12-1/4 | 312 | 3/4 | 19 | 1/4x2 | 6x50 | 5/16x2 | 8x50 | 3,800 |
| 14 | 356 | 1 | 25 | 20-5/16 | 516 | 13-15/16 | 354 | 7/8 | 22 | 1/4x2 | 6x50 | 15/32x2 | 12x50 | 4,200 |
| 16 | 406 | 1 | 25 | 22-1/16 | 560 | 14 | 355 | 1 | 25 | 1/4x2-1/2 | 6x63 | 15/32x2-1/2 | 12x63 | 4,600 |
| 18 | 457 | 1 | 25 | 24-3/4 | 628 | 15-11/16 | 398 | 1-1/8 | 28 | 1/4x2-1/2 | 6x63 | 15/32x2-1/2 | 12x63 | 4,800 |
| 20 | 508 | 1-1/4 | 32 | 27-3/8 | 695 | 17-5/16 | 440 | 1-1/4 | 32 | 5/16x3 | 8x76 | 5/8x3 | 16x76 | 4,800 |
| 24 | 610 | 1-1/4 | 32 | 31-5/8 | 803 | 19-9/16 | 497 | 1-1/4 | 32 | 5/16x3 | 8x76 | 5/8x3 | 16x76 | 4,800 |

