

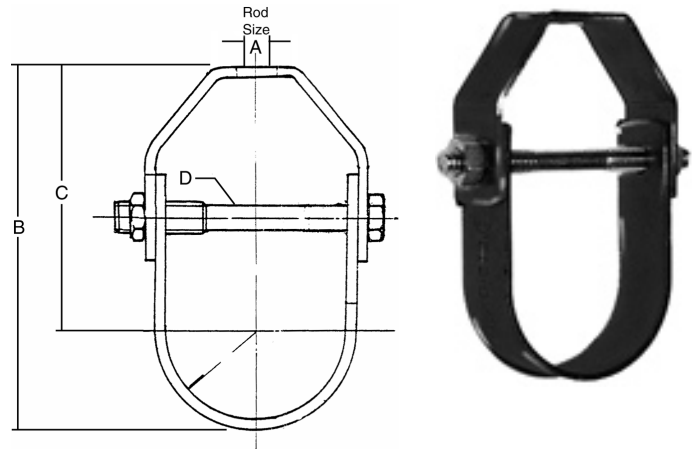
STANDARD & COMMERCIAL PIPE HANGERS

A 280E Light Duty Epoxy Coated Clevis Hanger

Material : Epoxy Coated Carbon Steel

Application : Designed for suspending light stationary pipe allowing for vertical adjustment. Epoxy coating is for preventing contact between tubing and the hanger. Can also be used for steel pipe

Ordering : Specify figure number and pipe size.
Only available in sizes 1/2" thru 4"



A 280E LIGHT DUTY CLEVIS EPOXY

SIZE		A		B		C		D		Upper Material		Lower Material	
			mm		mm		mm		mm		mm		mm
1/2CP	3/8IP	3/8	10	2-13/16	71	1-3/16	30	1/4	6	3/32x7/8	2x22	3/32x7/8	2x22
3/4CP	1/2IP	3/8	10	3	76	1-7/8	48	1/4	6	3/32x7/8	2x22	3/32x7/8	2x22
1CP	3/4IP	3/8	10	3-5/16	84	2-1/4	52	1/4	6	3/32x7/8	2x22	3/32x7/8	2x22
1-1/4CP	1IP	3/8	10	3-11/16	93	2-1/4	57	1/4	6	3/32x7/8	2x22	3/32x7/8	2x22
1-1/2CP	1-1/4IP	3/8	10	4	101	2-3/8	60	1/4	6	3/32x7/8	2x22	3/32x7/8	2x22
2CP	1-1/2IP	1/2	13	4-7/16	112	2-3/4	70	1/4	6	3/32x7/8	2x22	3/32x7/8	2x22
2IP	-	1/2	13	4-7/16	112	2-3/4	70	1/4	6	3/32x7/8	2x22	3/32x7/8	2x22
2-1/2CP	-	1/2	13	5-3/8	136	3-1/4	82	3/8	10	1/8x1-3/16	3x30	1/8x1-3/16	3x30
2-1/2IP	-	1/2	13	5-3/8	136	3-1/4	82	3/8	10	1/8x1-3/16	3x30	1/8x1-3/16	3x30
3CP	-	1/2	13	6	152	3-1/2	89	3/8	10	1/8x1-3/16	3x30	1/8x1-3/16	3x30
3IP	-	1/2	13	6	152	3-1/2	89	3/8	10	1/8x1-3/16	3x30	1/8x1-3/16	3x30
4CP	-	5/8	13	7-1/2	190	4-1/4	108	3/8	10	3/16x1-3/16	4.5x30	1/8x1-3/16	3x30
4IP	-	5/8	13	7-1/2	190	4-1/4	108	3/8	10	3/16x1-3/16	4.5x30	1/8x1-3/16	3x30

