

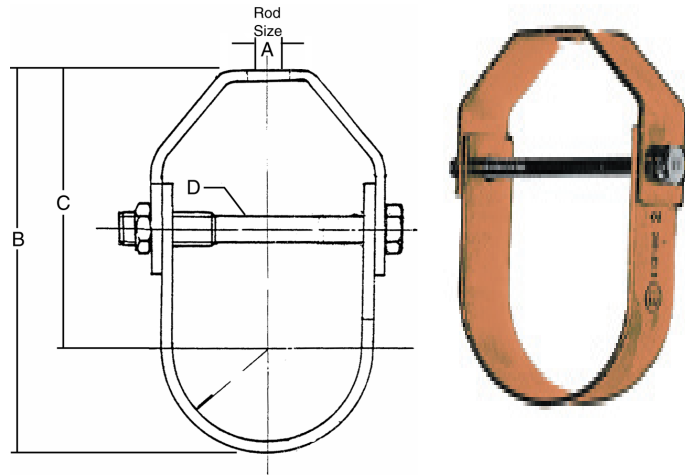
## STANDARD & COMMERCIAL PIPE HANGERS

### A 310 C Light Duty Copper Clevis Hanger

Material : Copper Electroplated Carbon Steel.

Application : Designed for suspending copper tubing lines. Design of hanger allows for vertical adjustment.

Ordering : Specify figure number and pipe size.



### A 310C LIGHT DUTY CLEVIS COPPER PLATED

SIZE	"A"		"B"		"C"		"D"		Upper Material		Lower Material		Box Qty	
	mm	mm	mm	mm	mm	mm	mm	mm	mm	mm				
1/2	13	3/8	10	2-13/16	61	2-5/16	52	1/4	6	3/32x7/8	2x22	3/32x7/8	2x22	100
3/4	19	3/8	10	3	71	2-13/32	59	1/4	6	3/32x7/8	2x22	3/32x7/8	2x22	100
1	25	3/8	10	3-5/16	76	2-19/32	60	1/4	6	3/32x7/8	2x22	3/32x7/8	2x22	100
1-1/4	32	3/8	10	3-11/16	84	2-11/16	65	1/4	6	3/32x7/8	2x22	3/32x7/8	2x22	100
1-1/2	38	3/8	10	4	93	2-13/16	71	1/4	6	3/32x7/8	2x22	3/32x7/8	2x22	100
2	50	1/2	13	4-7/16	107	3-9/16	78	1/4	6	3/32x7/8	2x22	3/32x7/8	2x22	100
2-1/2	64	1/2	13	5-3/8	134	4	98	3/8	13	1/8x1-3/16	3x30	1/8x1-3/16	3x30	50
3	76	1/2	13	6	143	4-3/16	101	3/8	13	1/8x1-3/16	3x30	1/8x1-3/16	3x30	50
3-1/2	89	1/2	13	6-5/8	162	4-5/8	112	3/8	13	1/8x1-3/16	3x30	1/8x1-3/16	3x30	50
4	102	5/8	16	7-1/2	173	5-3/16	118	3/8	13	1/8x1-3/16	3x30	3/16x1-3/16	4.5x30	25

