

HANGER ATTACHMENTS AND STRUT PRODUCTS

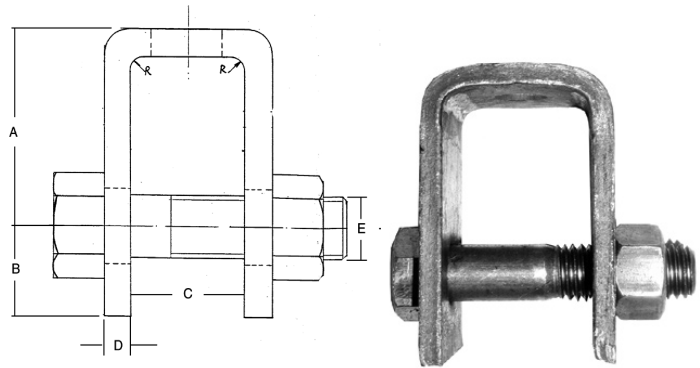
A 330-B Heavy Duty Beam Attachment with Bolt

Material: Carbon Steel

Application: Designed for attaching hanger rod to the bottom of structural steel where heavy loads and large hanger rod sizes are required. Can be welded in place in either upright or inverted position.

Ordering: Specify figure number and rod size

Approvals: Complies with Manufacturers' Standardization Society SP - 69 Type 22.



A 330B HEAVY DUTY BEAM ATTACHMENT

Size	A		B		C		D		E		
	mm	mm	mm	mm	mm	mm	mm	mm	mm	mm	
3/8	10	2-1/8	54	7/8	22	1-5/8	41	1/4x2	6x50	1/2x3	13x76
1/2	13	2-1/8	54	7/8	22	1-5/8	41	1/4x2	6x50	1/2x3	16x76
5/8	16	2-1/8	54	7/8	22	1-11/16	43	1/4x2	6x50	3/4x3	19x76
3/4	19	2-3/8	60	1-1/8	28	1-11/16	43	3/8x2-1/2	10x64	7/8x3-1/2	22x89
7/8	22	3-1/8	79	1-1/4	32	2	51	3/8x2-1/2	10x64	1x4	25x102
1	25	3-1/4	83	1-1/2	38	2	51	1/2x3	12x76	1-1/8x4-3/4	28x120
1-1/8	29	3-1/2	89	1-1/2	38	2-3/8	60	1/2x3	12x76	1-1/4x4-3/4	32x120
1-1/4	32	3-1/2	89	2	50	2-1/2	64	5/8x4	16x102	1-1/2x6	38x152
1-1/2	38	4	102	2-1/2	64	3	76	3/4x4	18x102	1-3/4x7-1/8	44x180
1-3/4	44	5	127	2-3/4	70	3-3/4	95	3/4x5	18x127	2x8-5/8	50x220
2	50	5	127	3-1/4	83	3-3/4	95	3/4x6	18x152	2-1/4x8-5/8	57x220
2-1/4	57	6	152	3-1/2	89	4-1/4	108	3/4x6	18x152	2-1/2x9-1/8	64x230
2-1/2	64	6	152	3-3/4	95	4-1/2	114	3/4x6	18x152	2-3/4x9-1/2	70x240

