

INDUSTRIAL HANGERS & CLAMPS

A 494 Single Pipe Roll

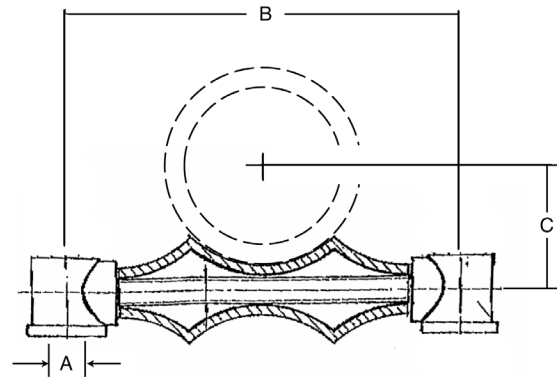
Material: Steel axle, cast iron roller, malleable iron socket ends

Finish: Standard finish is bare metal, Zinc plated, hot dipped galvanized are also available

Service: Designed for suspending piping where longitudinal movement and vertical adjustment is required. Threaded rods sold separately.

Approvals: Complies with Manufacturers Standardization Society SP - 69 Type 41

Ordering: Specify part number, pipe size, insulation thickness and finish.



A 494 SINGLE PIPE ROLL

Pipe Socket		A		B		C		Max Rec Loads		
Size	mm	Size	mm	mm	mm	mm	mm	lbs.	kg	
1	25	1	3/8	10	4-1/2	114	1-1/16	27	600	270
1-1/4	32	1	3/8	10	4-1/2	114	1-1/4	32	600	270
1-1/2	38	1	3/8	10	4-1/2	114	1-3/8	35	600	270
2	50	2	1/2	13	5-1/4	133	1-5/8	41	600	270
2-1/2	64	2	1/2	13	5-1/4	133	1-7/8	47	660	270
3	76	2	1/2	13	5-3/4	146	2-1/8	53	700	315
3-1/2	89	3	5/8	16	7-3/8	187	2-9/16	65	750	338
4	102	3	5/8	16	7-3/8	187	2-13/16	71	750	338
5	127	3	5/8	16	8-3/8	213	3-7/16	87	750	338
6	152	4	3/4	19	9-1/2	241	4	102	1070	482
8	203	5	7/8	22	11-7/8	301	5-1/8	130	1350	608
10	254	5	7/8	22	13-7/8	353	6-3/8	162	1730	779
12	305	5	7/8	22	15-3/4	400	7-7/16	189	2400	1080
14	356	6	1	25	17-5/8	448	8-3/8	213	3130	1409
16	406	7	1	25	20	508	9-3/8	236	3970	1787
18	457	7	1	25	22	558	10-1/2	267	4200	1890
20	508	8	1-1/4	32	24-5/8	626	11-5/8	295	4550	2048
24	610	9	1-1/2	38	29-5/8	752	13-7/8	352	6160	2800

