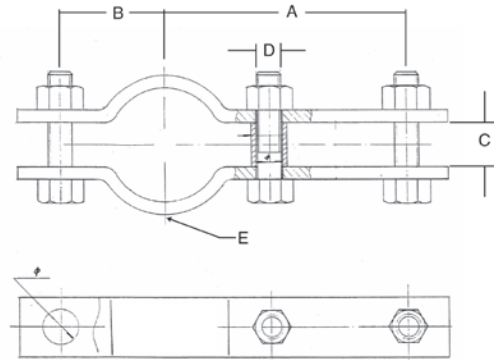


INDUSTRIAL HANGERS & CLAMPS

A 62 Std. 3-Bolt Pipe Clamp

Material:	Carbon Steel
Finish:	Bare
Application:	Designed for suspending heavy-duty, high-temperature pipe runs with up to 4" thick insulation.
Ordering:	Specify part number, insulation thickness, and pipe size.
Approvals:	Complies with Manufacturers' Standardization Society SP-69 Type 3.



A 62 STD 3-BOLT PIPE CLAMP

SIZE	A	B	C	D	E	Max Rec Load		
						650°F	750°F	
mm	mm	mm	mm	mm	mm			
1/2	13	93	33	16	3/8x35	4x30	950	850
3/4	19	89	35	16	3/8x35	5x32	950	850
1	25	89	35	16	3/8x35	5x32	950	850
1-1/4	32	95	44	16	1/2x45	5x32	1,540	940
1-1/2	38	105	55	25	5/8x60	6x32	1,540	1,380
2	50	130	60	25	5/8x60	6x32	1,540	1,380
2-1/2	64	145	65	25	5/8x60	6x32	1,540	1,380
3	76	155	75	25	5/8x60	6x32	1,540	1,380
4	102	170	100	25	3/4x70	10x50	2,500	2,230
5	127	180	102	25	3/4x70	10x50	2,500	2,230
6	152	225	130	38	7/8x90	10x64	2,860	2,550
8	203	255	155	38	7/8x90	10x64	2,860	2,550
10	254	290	195	38	1x100	12x64	3,240	2,900
12	305	310	210	38	1x100	12x64	3,240	2,900
14	356	350	240	50	1-1/4x130	16x76	4,300	3,850
16	406	348	254	50	1-1/4x130	16x76	4,300	3,850
18	457	374	280	50	1-1/4x130	16x76	4,300	3,850
20	508	403	314	50	1-3/8x135	18x76	5,500	4,900
24	610	454	365	50	1-3/8x135	18x76	6,000	5,350

