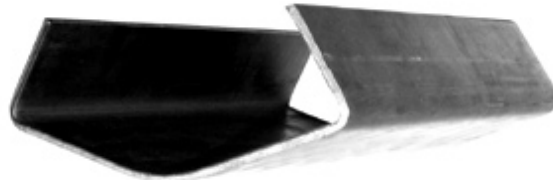
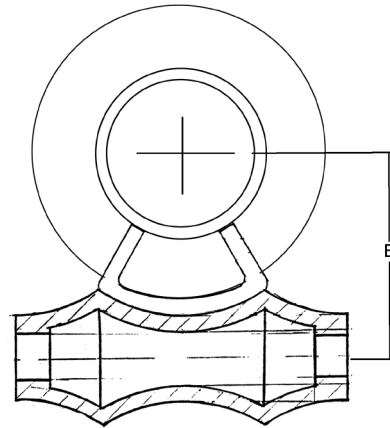


## INDUSTRIAL HANGERS & CLAMPS

### A 92/95 Pipe Protection Saddle 3" & 4"

Material:	A-36 Carbon Steel.
Application:	Designed to protect pipe insulation on high temperature pipe lines.
Ordering:	Specify figure number, pipe size, and insulation thickness.
Approvals:	Complies with manufacturers' Standardization Society SP-69 Type 39 A.



#### A 92 PIPE PROTECTION SADDLE FOR 3" INSULATION

Size	Roller Size		B		
	mm	mm	mm	mm	
2	50	8	203	5-3/8	137
2-1/2	64	8	203	5-5/8	143
3	76	8	203	6	152
3-1/2	89	8	203	6-5/16	160
4	102	10	254	6-9/16	167
5	127	12	305	7-1/8	181
6	152	12	305	7-5/8	194
8	203	14	356	9	229
10	254	16	406	10-1/8	257
12	305	18	457	11-1/8	283
14	356	20	508	11-3/4	298
16	406	24	610	12-7/8	327
18	457	24	610	14-3/16	360
20	508	24	610	15-7/8	403

#### A 95 PIPE PROTECTION SADDLE FOR 4" INSULATION

Size	Roller Size		B		
	mm	mm	mm	mm	
4	102	12	305	7-5/8	194
5	127	14	356	8-3/16	210
6	152	14	356	9	229
8	203	16	406	10-1/8	257
10	254	18	457	11-1/4	286
12	305	20	508	12-3/8	314
14	356	24	610	12-7/8	327
16	406	24	610	14-1/8	359
18	457	24	610	15-1/2	394
20	508	24	610	17	432

