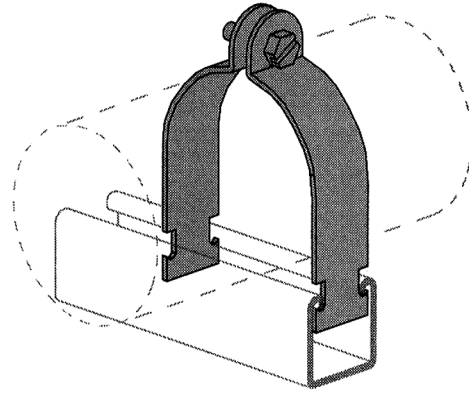


INDUSTRIAL HANGERS & CLAMPS

A U932 Strut Clamps for O.D. Tubing

Fittings unless noted otherwise, are punch-press made from hot rolled, pickled and oiled steel plates, strip or coil, and conform to ASTM specifications A575, A576, A635 or A36.



A U932 STRUT CLAMP for O.D. PIPE

Part No.	O.D. Size		Weight/C		Design Load
	In	mm	Lbs.	kg	Lbs(kN)
P2025	3/8	9.5	8	3.6	400(1.8)
P2027	5/8	15.9	10	4.5	400(1.8)
P2029	7/8	22.2	12	5.4	400(1.8)
P2031	1-1/8	28.6	15	6.8	600(2.7)
P2033	1-3/8	34.9	17	7.7	600(2.7)
P2035	1-5/8	41.3	19	8.6	600(2.7)
P2037	1-7/8	47.6	28	12.7	800(3.6)
P2039	2-1/8	54.0	32	14.5	800(3.6)

