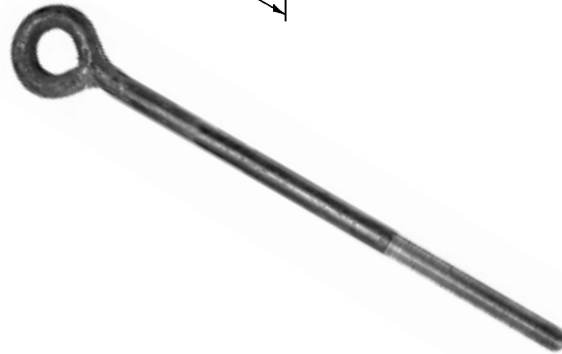
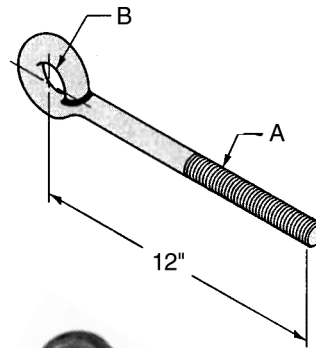


## THREADED PRODUCTS

### A W922 Welded Eye Rod Right Hand Thread

Material:	A-1008-1018 Steel Wire.
Application:	Designed for use in hanger supports to eliminate possible bending of threaded rod.
Ordering:	Specify part number and rod size.



### AW 922 WELDED EYE ROD RIGHT HAND THREAD

A		B	
Treaded Size	mm	Eye I.D.	mm
3/8	9.5	1/2	13
1/2	13	5/8	16
5/8	16	3/4	19
3/4	19	7/8	20
7/8	20	1	25
1	25	1-1/8	28
1-1/8	28	1-1/4	32
1-1/4	32	1-1/2	38
1-1/2	38	1-3/4	44
1-3/4	44	2	50
2	50	2-1/4	57

